



PodBin™
Maintenance & cleaning

Cleaning

Maintain freshness and attractive presentation

- / We recommend you to clean your bins regularly
- / For cleaning prefer a disinfectant based on Chlorine Dioxide (ClO₂).

Do not use an alcohol-based disinfectant.

Alcohol based disinfectants will make the plastic brittle and shorten the lifetime of the bin.

Easy-clean

The PodBin™ can be cleaned without dismantling entirely from the shelf rack. Just take out the PodBox and leave the bin body installed to clean it.

The recommended frequency of cleaning will depend on the stock rotation speed and on the type of merchandise displayed. For instance, fat or oily products require more frequent cleaning.



Total cleaning

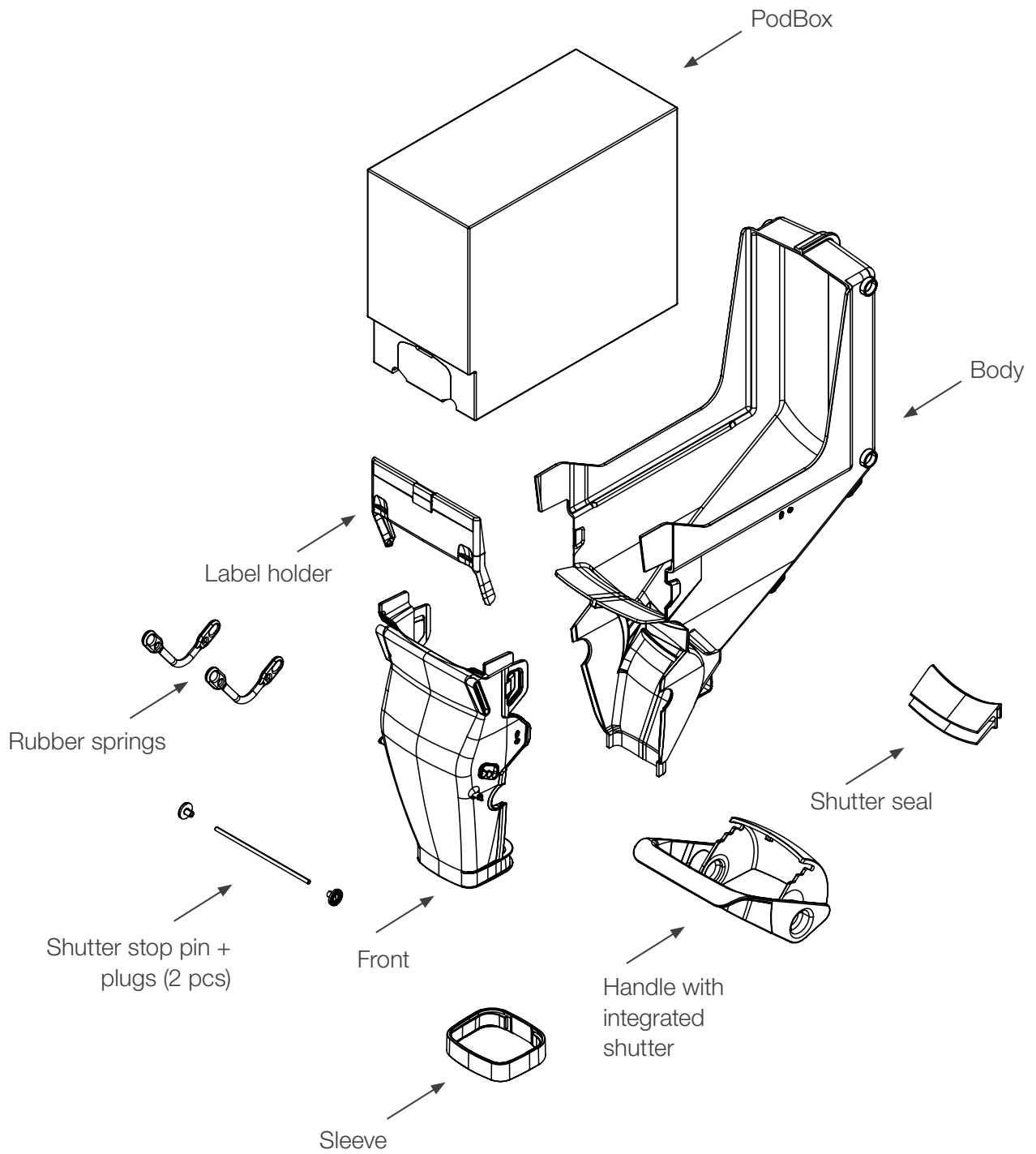
Hand washing with soap and water is preferable over a dishwasher in order to limit exposure to high temperature. If a dishwasher is used, then settings should be at lowest possible temperature and shortest duration (below 50° C and always in the top tray).



Some customers prefer not to do the cleaning themselves - your HL Display representative can help you source a cleaning service for your bulk bins.

Component overview

See below all the components of the **PodBin™** system.



PodBin™ disassembling

To disassemble, follow the steps below:

1 Push up the label holder (to release it).



2 Pull the label holder forward.



3a Remove the PodBox.



3b



PodBin™ disassembling *(cont.)*

- 4** To unlock the front from the bin body, pull the top left side of the front and push the connector. Repeat the same action on the right side.



- 5** Once released, remove the front from the bin body.



- 6** Remove the shutter seal.



- 7** For daily cleaning, leave the PodBin™ in place. Wipe with a wet or dry cloth.



PodBin™ disassembling (cont.)

- 8** Remove the sleeve around the base of the front.



- 9** Remove the rubber springs from the knobs on the front and on the handle.



- 10** Remove the 2 plugs in each side of the shutter stop pin. Remove the shutter stop pin.



PodBin disassembling *(cont.)*

- 11** Remove the label holder.



- 12** For daily cleaning wipe the parts with a wet or dry cloth.



PodBin™ assembling

To assemble, follow the steps below.

- 1 Insert the shutter stop pin in the front.



- 2 Mount the 2 plugs on each side to lock the shutter stop pin.



- 3 Attach the label holder.



PodBin™ assembling (cont.)

- 4** Adjust the shutter lock to the required position: bottom position: minimum flow rate / middle position: mid flow rate / high position: maximum flow rate.



- 5** Fix the 2 rubber springs onto the knobs on the front.



- 6** Fit the handle on the front.



- 7** Fix the other end of the rubber springs.

The bin front is now mounted!



PodBin™ assembling (cont.)

8 Fix the shutter seal.



PodBin™ assembling (cont.)



- 9** Fix the bottom hole in the nozzle of the front cover onto the bottom hook of the body.



- 10** Snap the two connectors on the bin front onto the bin body. You should hear a click when they are securely fastened.



- 11** Fix the sleeve around the base of the nozzle.



HL DISPLAY AB

Cylindervägen 18 Box 1118
131 26 Nacka Strand, Sweden

Tel +46 8 683 73 00

www.hl-display.com
info@hl-display.com

