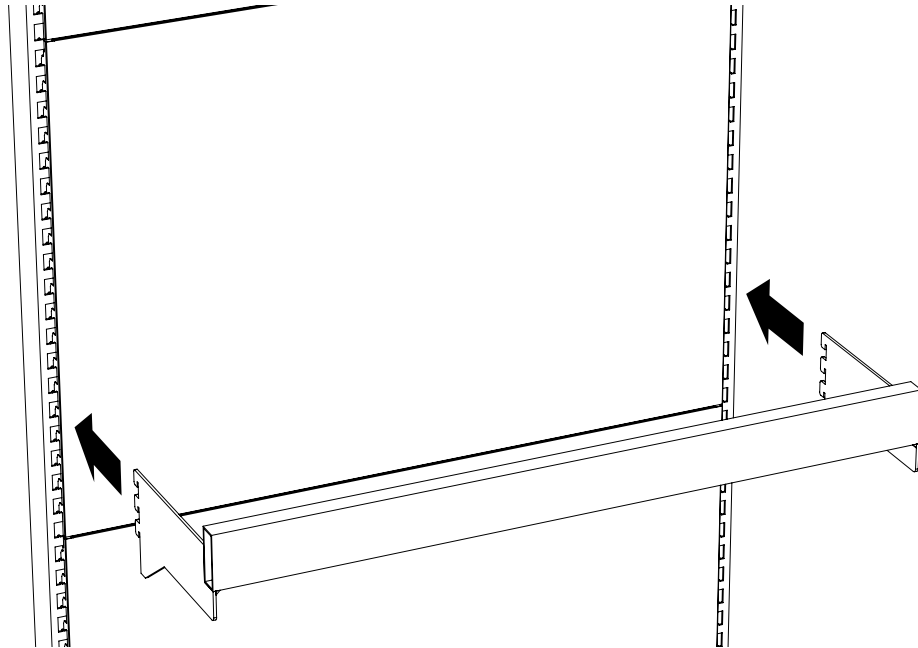


PodBin™

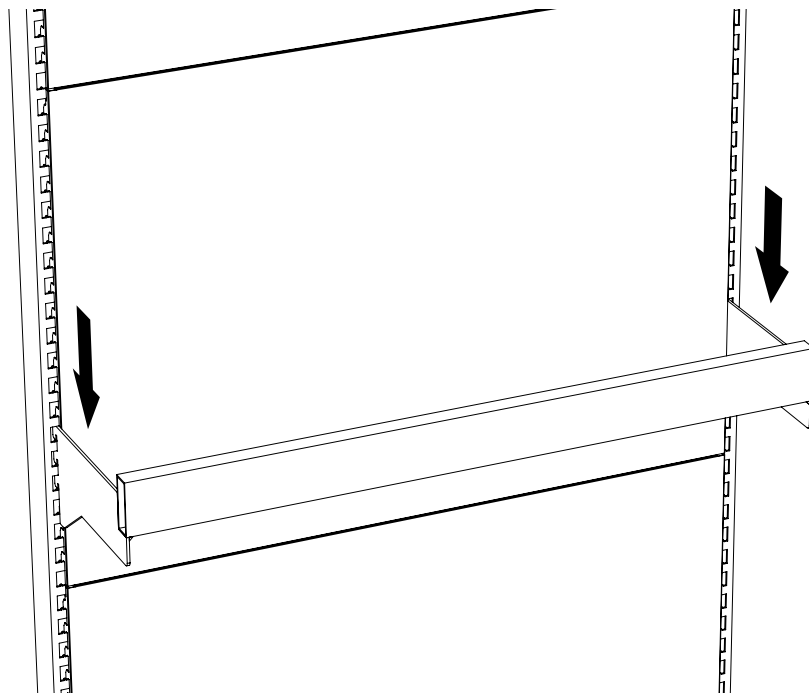
Mounting instruction

PodBin™ – On crossbar with holder

- 1** Mount crossbar into uprights

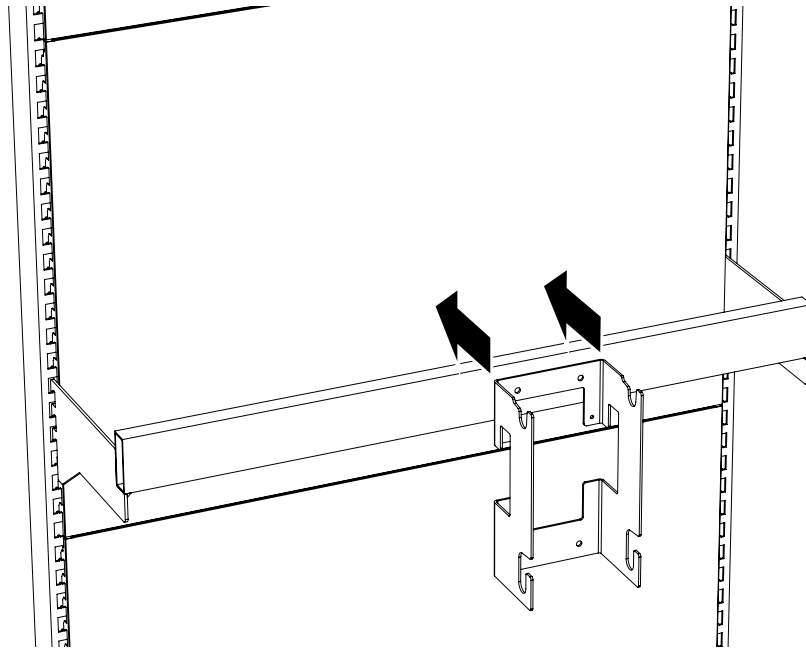


- 2** Push down to ensure that crossbar is securely fixed

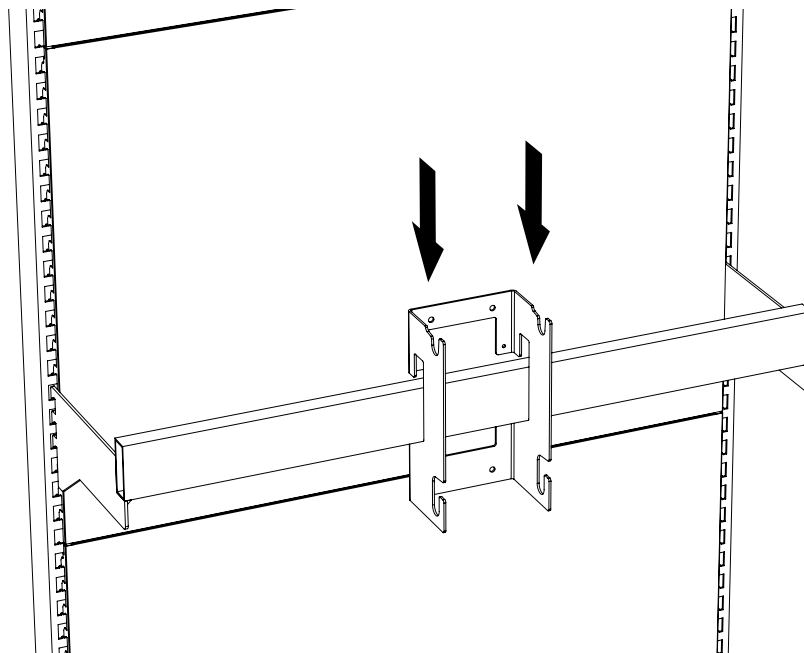


PodBin™ – On crossbar with holder

3 Place the metal bin holder on the cross bar

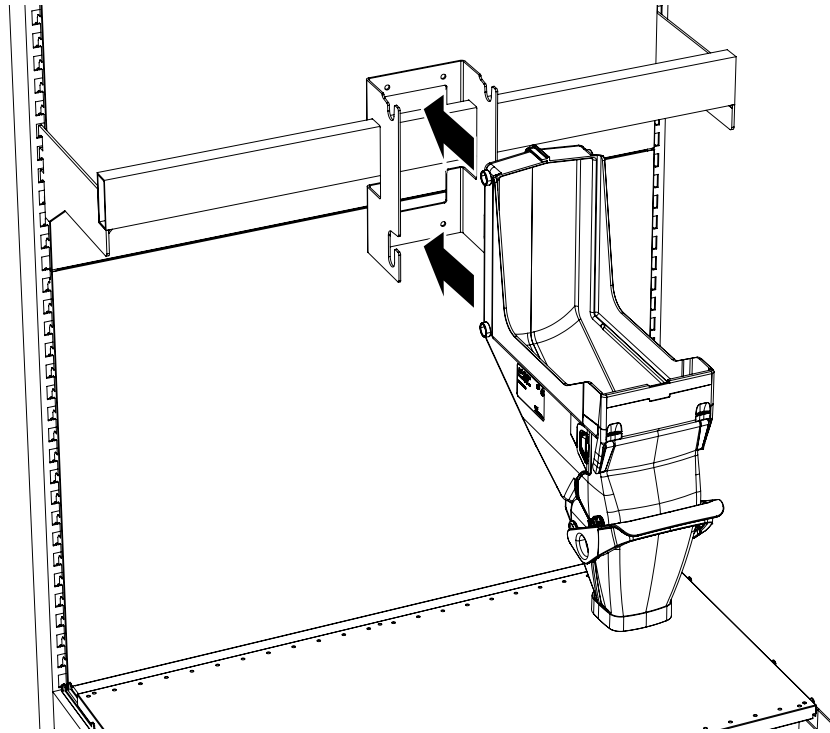


4

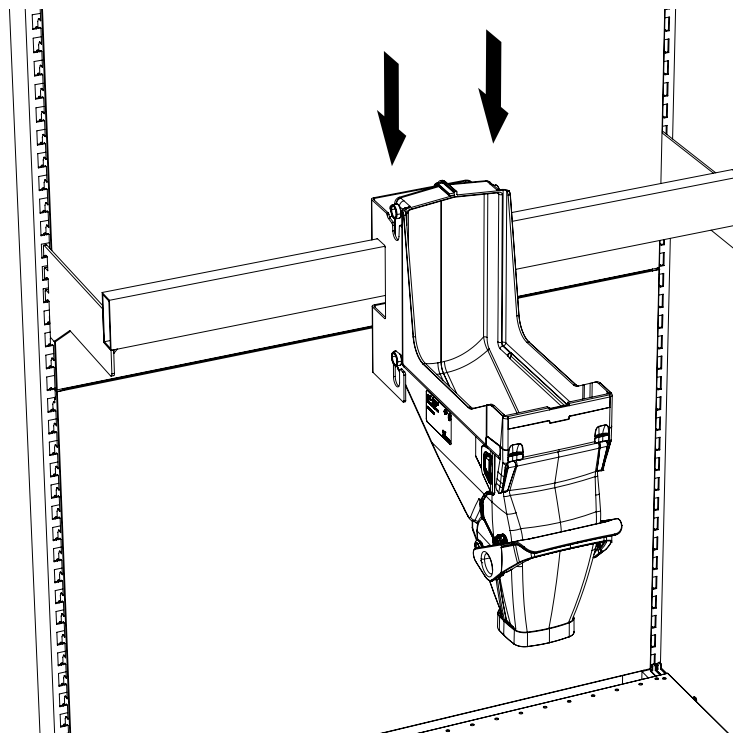


PodBin™ – On crossbar with holder

5 Mount the PodBin™ into the metal bin holder



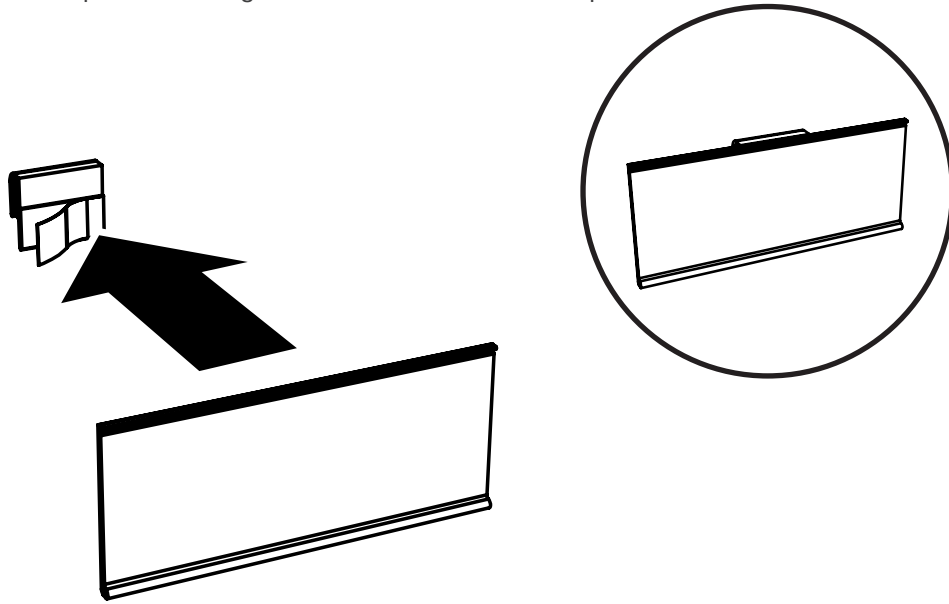
6



PodBin™ – Sign holder

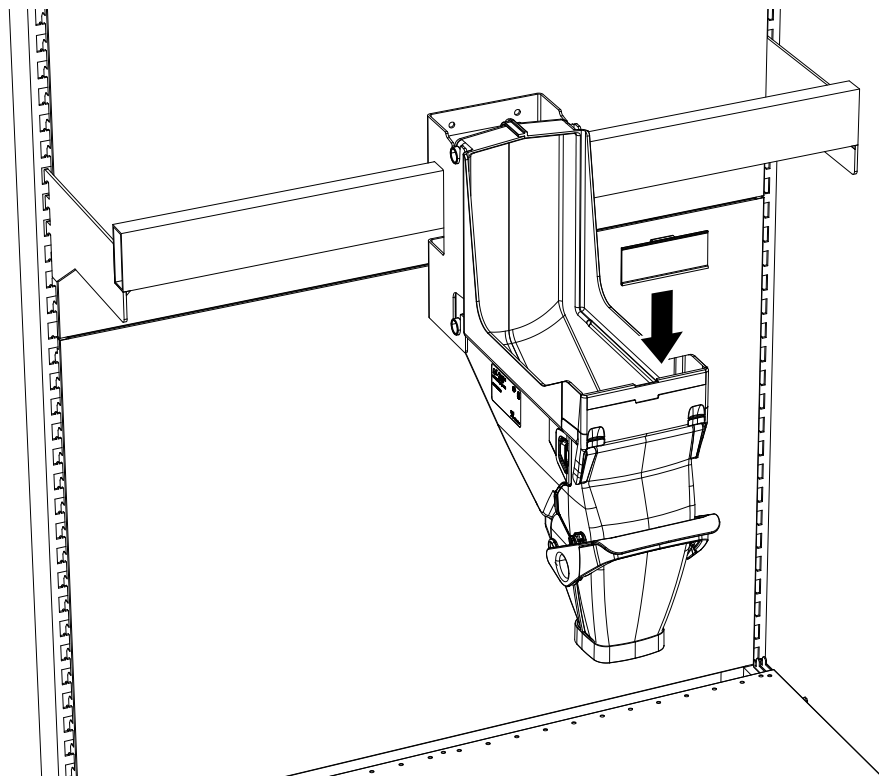
7

Remove the tape from the sign holder and attach the label pocket



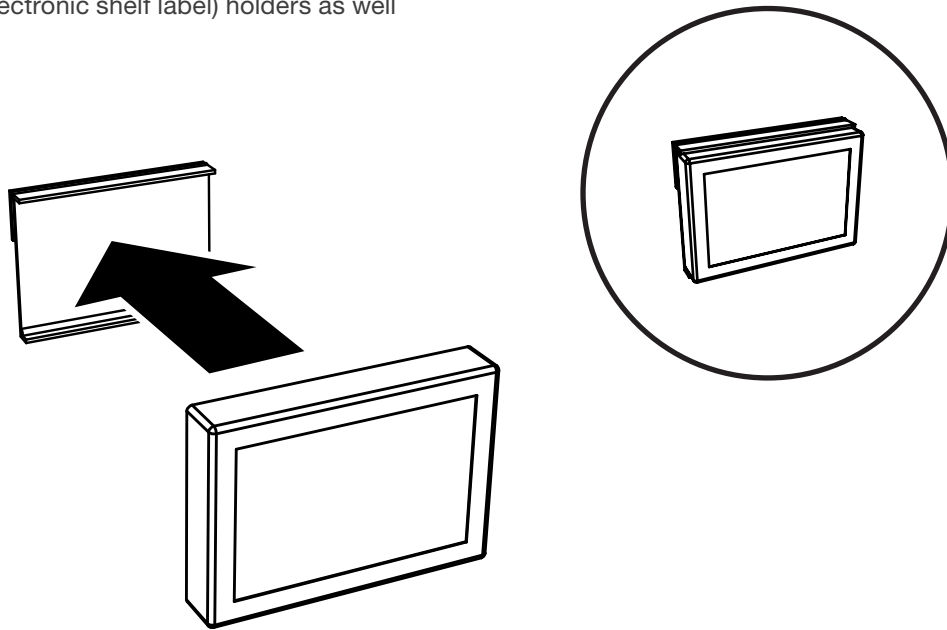
8

Mount the sign holder into the slot on the bin front

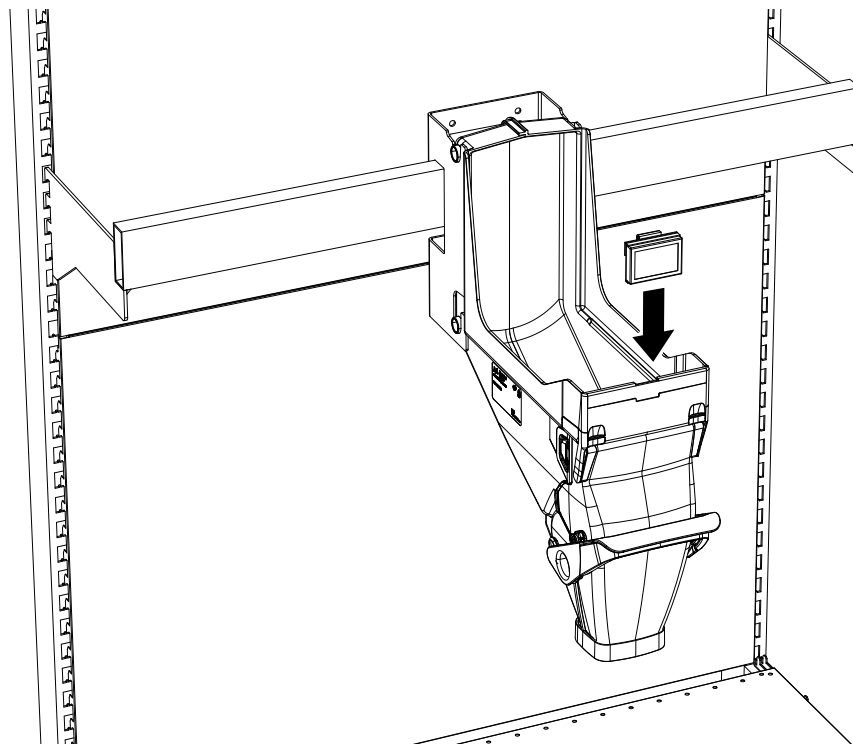


PodBin™ – Sign holder

- 9** The sign holder can be used to attach ESL (electronic shelf label) holders as well

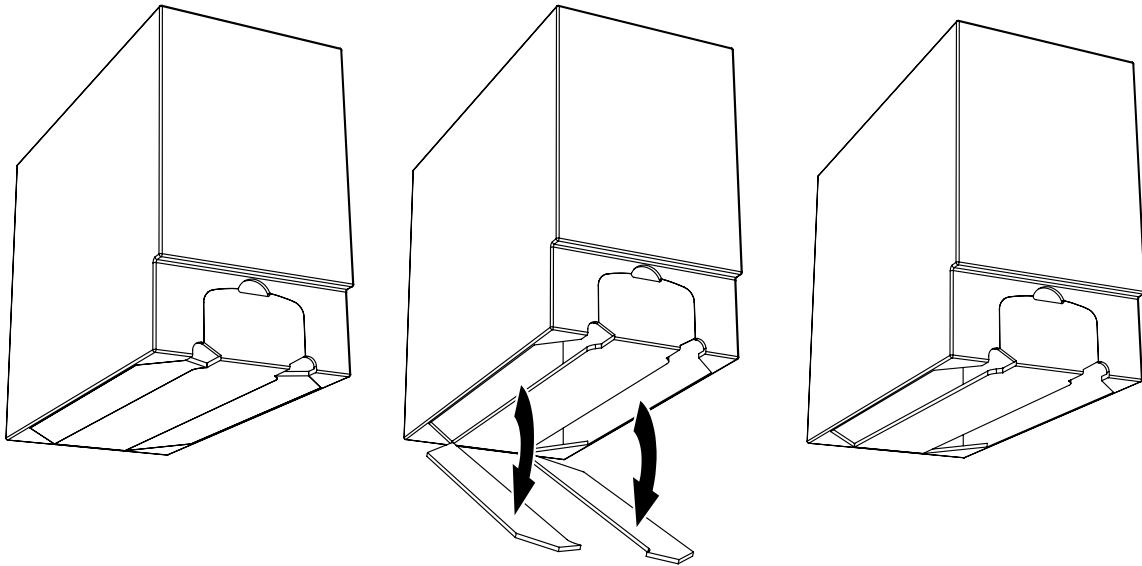


10

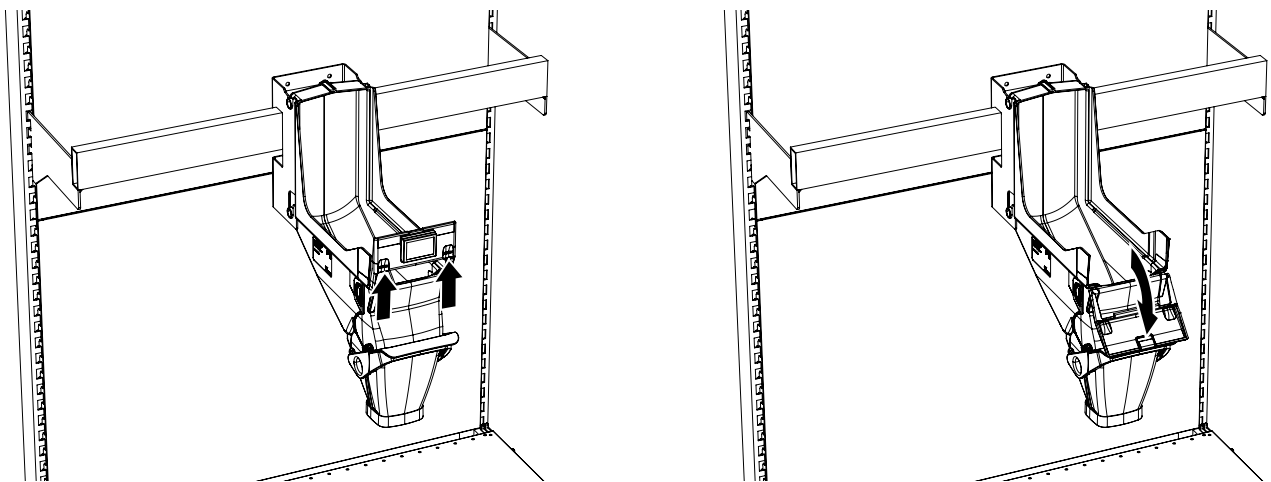


PodBin™ – Insert the PodBox

- 1** Remove the 2 carton closures at the bottom of the PodBox

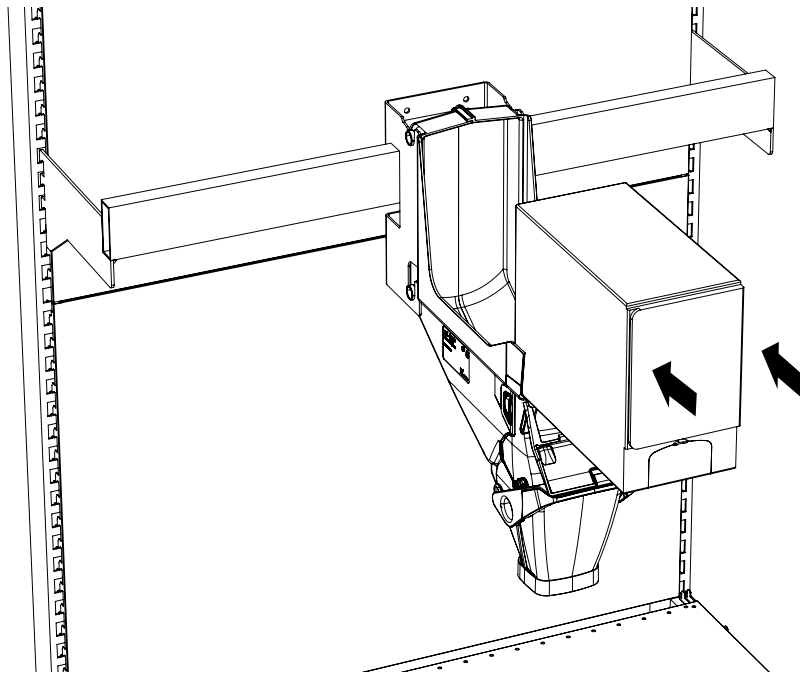


- 2** To insert the PodBox refill pack, push up the label holder (to release it) and pull it forward.

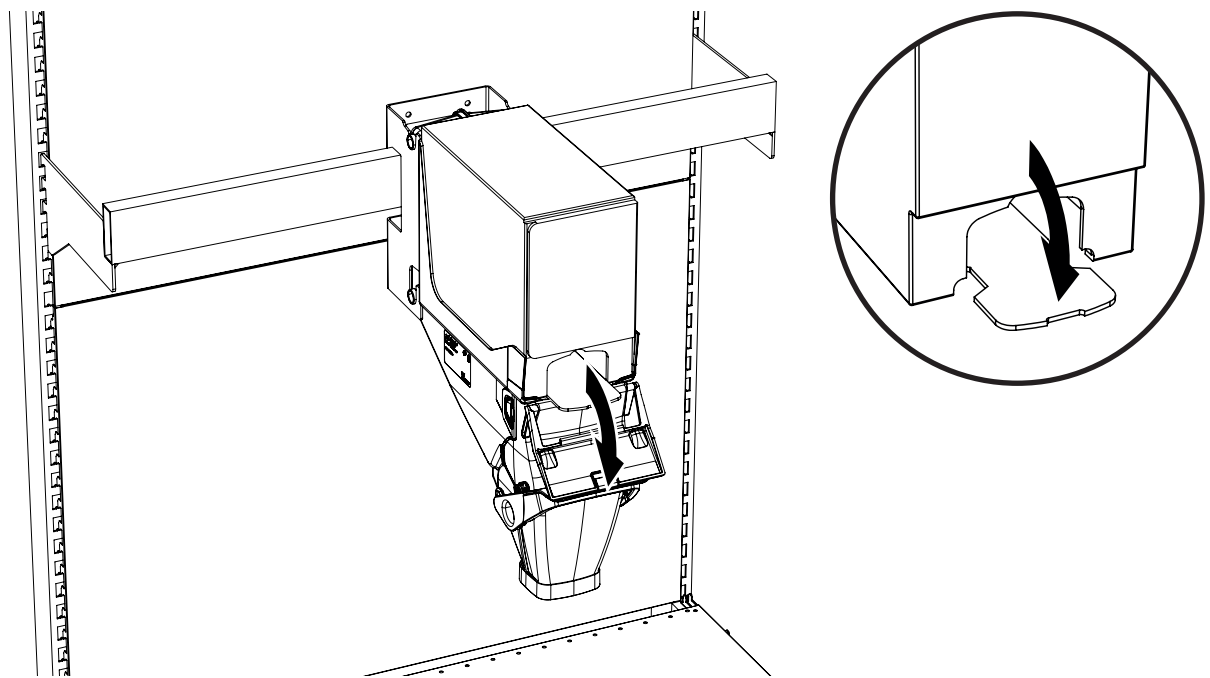


PodBin™ – Insert the PodBox

- 3** Push the PodBox into the dispenser and ensure it's properly fixed



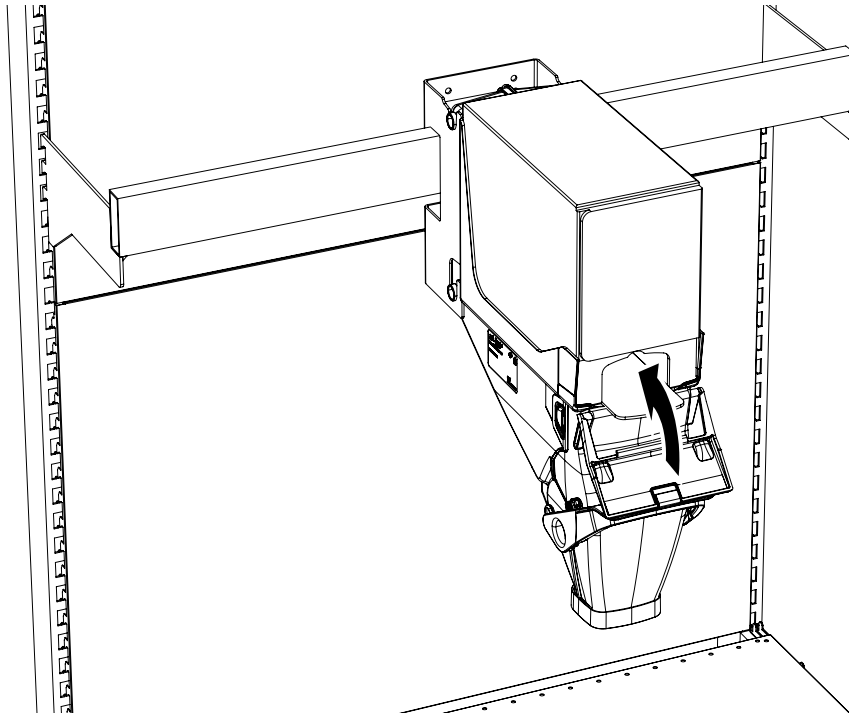
- 4** Pull-down the carton flap on the PodBox front



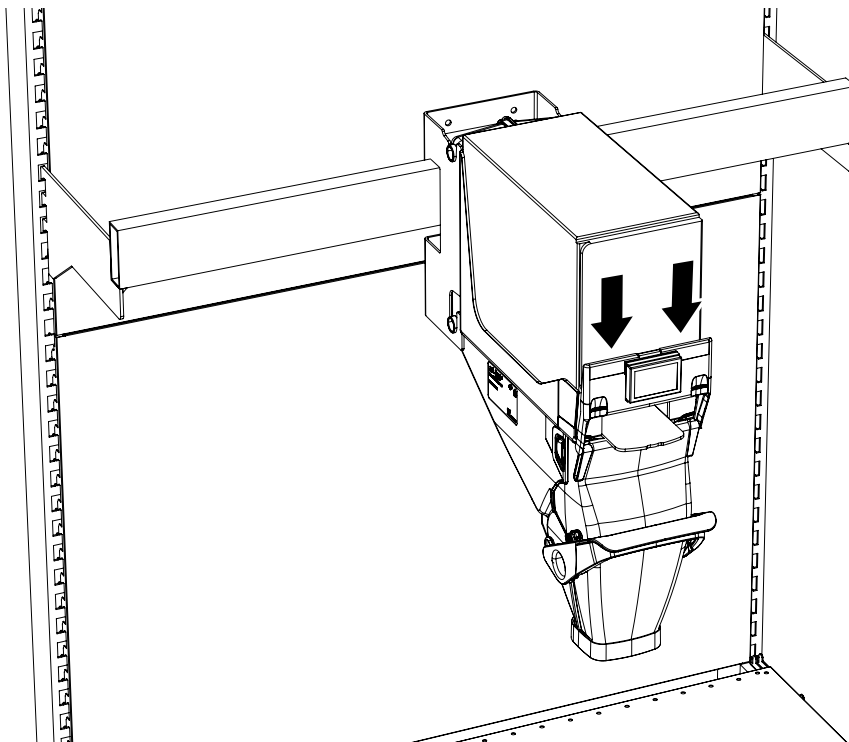
PodBin™ – Insert the PodBox

5

Push the label holder back up, and push it down (to lock it). Make sure you can still reach the carton flap



6



PodBin™ – Insert the PodBox

7

Pull-out the carton flap to release the box content into the dispenser

