

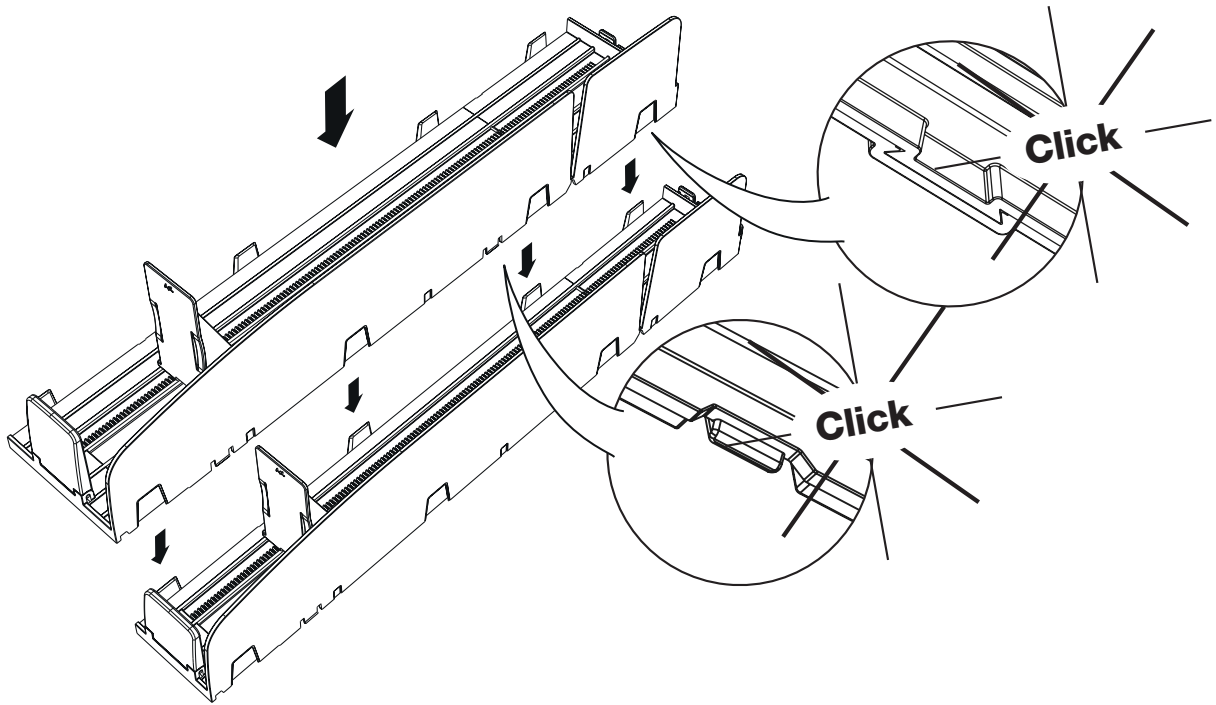
Modulo

Mounting instruction and
how to adjust the length

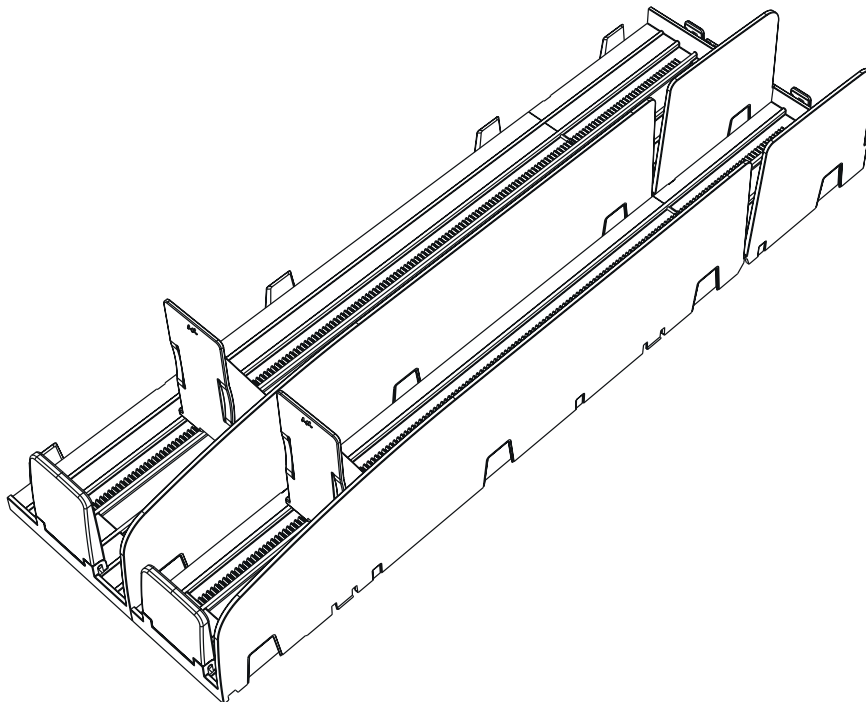
Modulo

Tray assembly

1

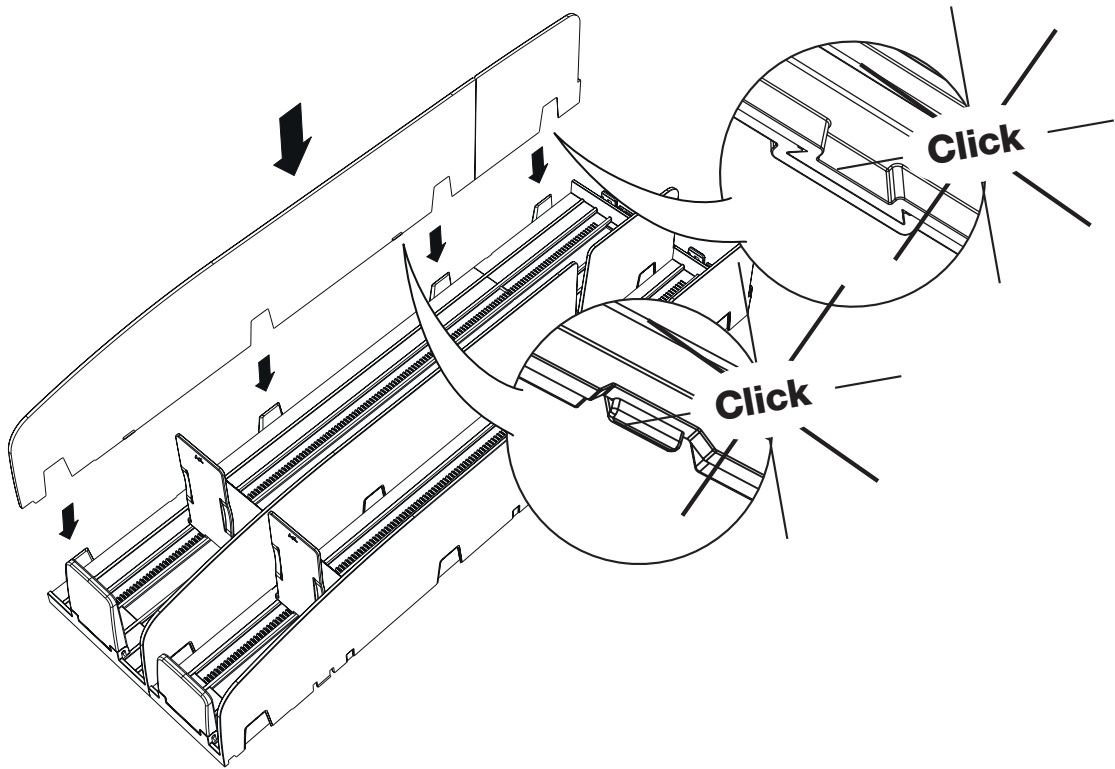


2

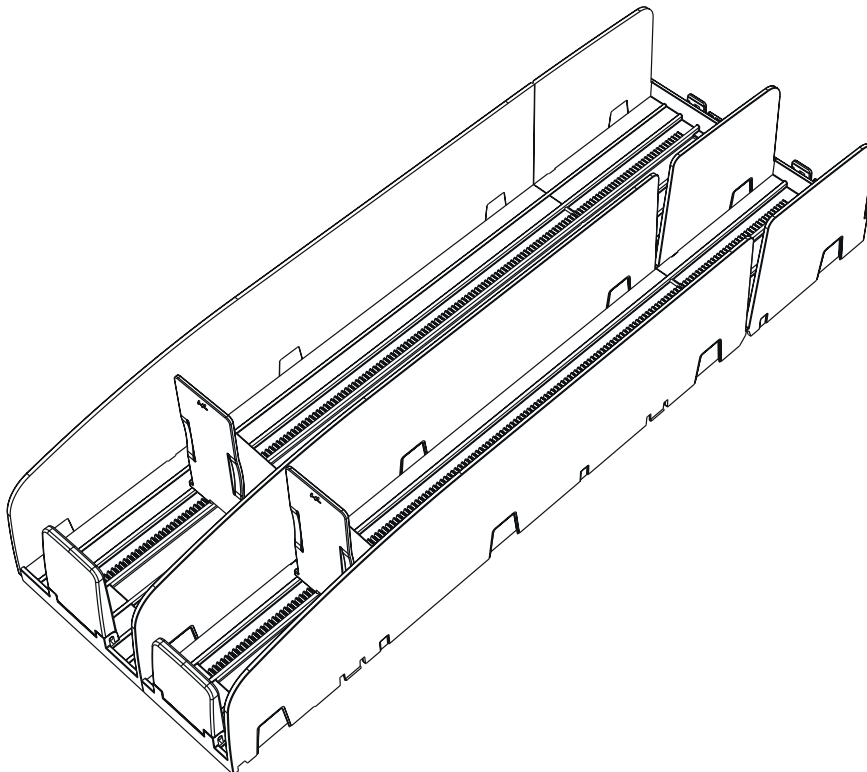


Modulo

3

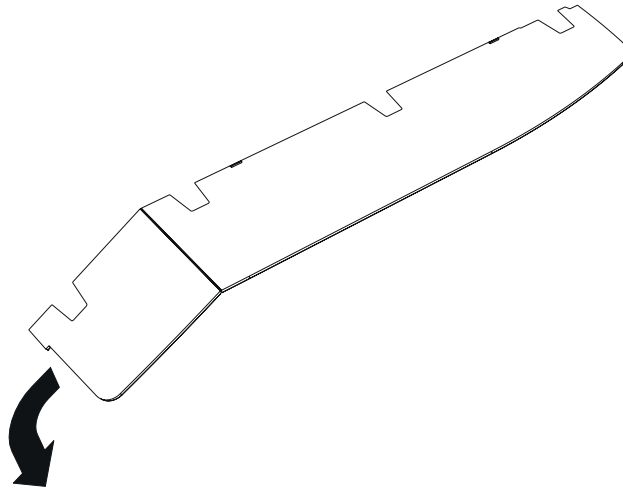


4

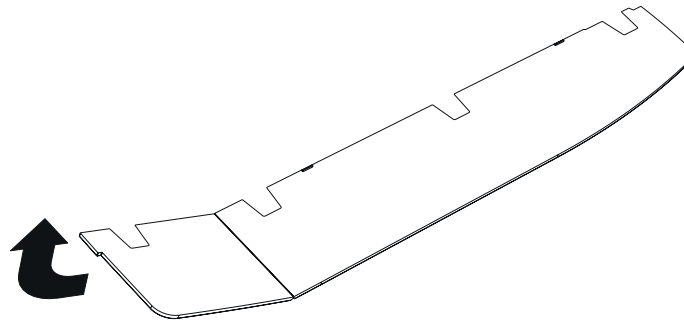


Adjust the divider length

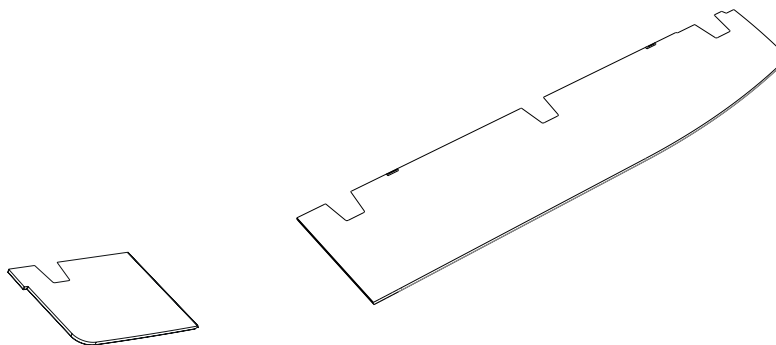
1



2

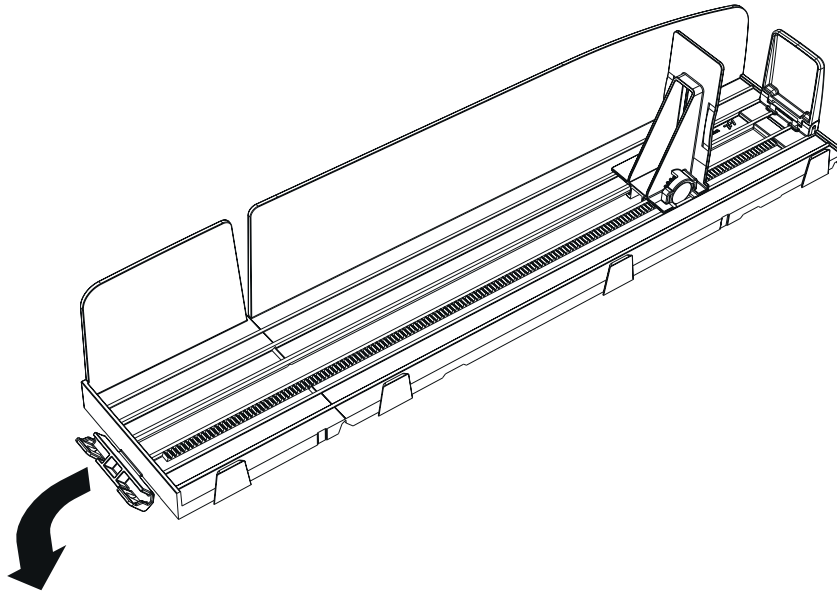


3

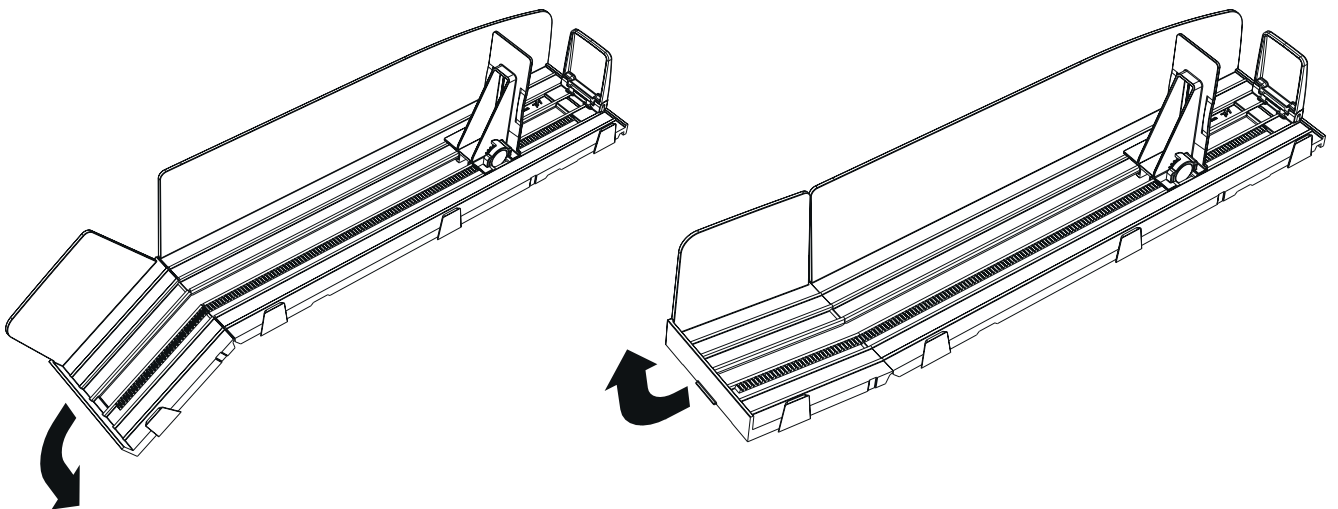


Adjust the tray length

1 Remove clip



2



Modulo

3 Add clip

