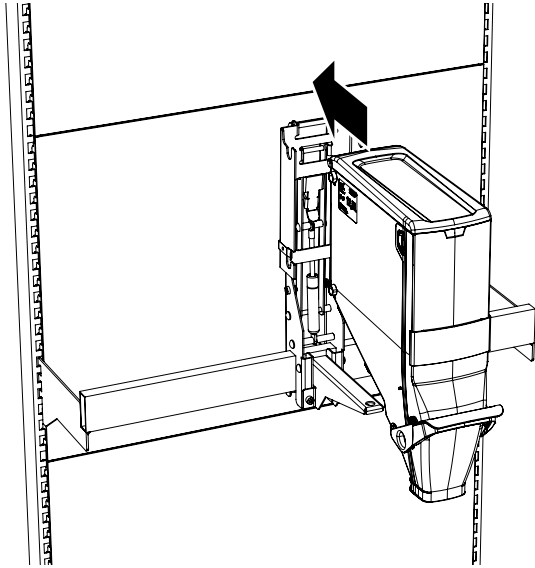


## 4eBin™ Gravity bin

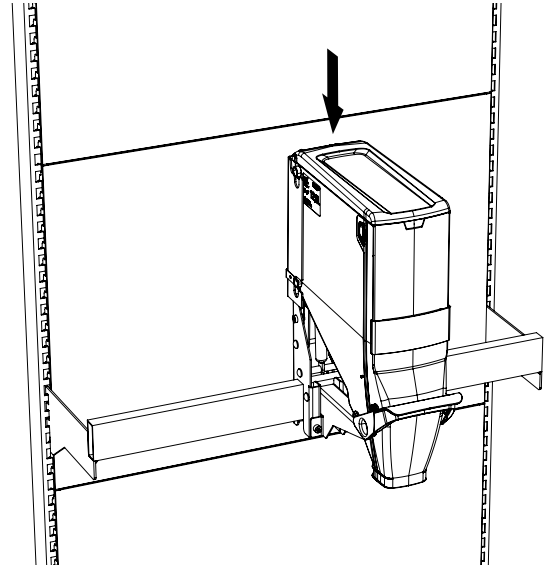
Mounting instruction  
Specification swing-down arm

# 4eBin™ Gravity bin – On crossbar with swing down arms

1



2



3

**N.B.** Only pull down one Gravity Bin at a time for refilling. Push it up before taking down the next one. Uprights & X-bars might not be constructed to support the weight if all bins are pulled down at the same time.

